



---

---

**PRODUCT:** AUTOMATED CATWALKS

**DATE:** March 6, 2008

**SUBJECT:** PC4000 Series Power Catwalk Vortex Cooler Filter

**SERIAL NUMBERS:** PM4000-1001 through 1028

**DISCUSSION:**

Service personnel have discovered that the interior of some of the PLC boxes are being coated by a spray of airline lubricant through the Vortex cooler.

**RECOMMENDATION:**

The element in the Air Filter needs to be replaced with part number H10716, which will knock out both water and oil, through the trap, before it reaches the PLC box.

See drawing 121100009M.REL-01.001 Item 42 (121100104). See drawing 121100104.DEV-01.001 Item 01 (AY50357). See drawing AY50357.REL-01.0 Item 2 (H10716)

**INFORMATION:**

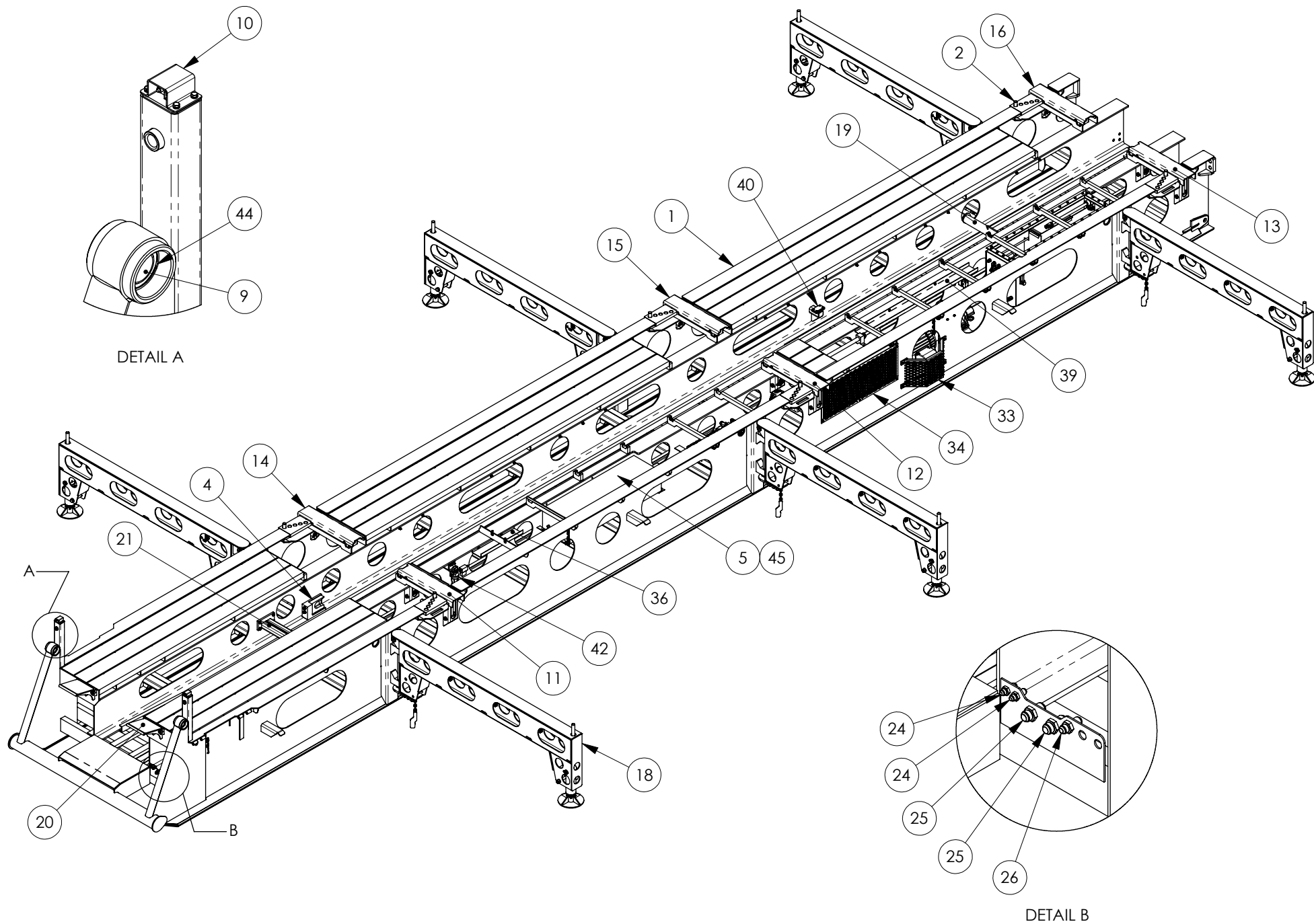
For further information contact:

*For a complete list of all bulletins go to [www.canrig.com](http://www.canrig.com)*

Field Service  
Canrig Drilling Technology Ltd.

14703 FM 1488  
Magnolia, Texas 77354  
Phone: 281.259.8887  
Fax: 281.259.8158

7475 51 Street SE  
Calgary, AB T2C 4L6  
Phone: 403.237.6400  
Fax: 403.233.2667



DETAIL A

DETAIL B

REV.	DESCRIPTION	DATE
REL-01	RFM	2/7/2008



7475 51 Street SE  
 Calgary, Alberta, Canada, T2C 4L6  
 Website: www.canrig.com  
 Bus: (403) 237-4400  
 Fax: (403) 233-2647

CANRIG DRILLING TECHNOLOGY CANADA LIMITED © 2006

THE DRAWINGS, INFORMATION AND SUBJECT MATTER  
 HEREOF ARE THE CONFIDENTIAL, SOLE AND EXCLUSIVE  
 PROPERTY OF CANRIG DRILLING TECHNOLOGY CANADA  
 LTD. AND ARE NOT TO BE COPIED, REPRODUCED OR USED  
 IN ANY MANNER FOR ANY PURPOSE WHATSOEVER  
 WITHOUT WRITTEN CONSENT OR DIRECTION.

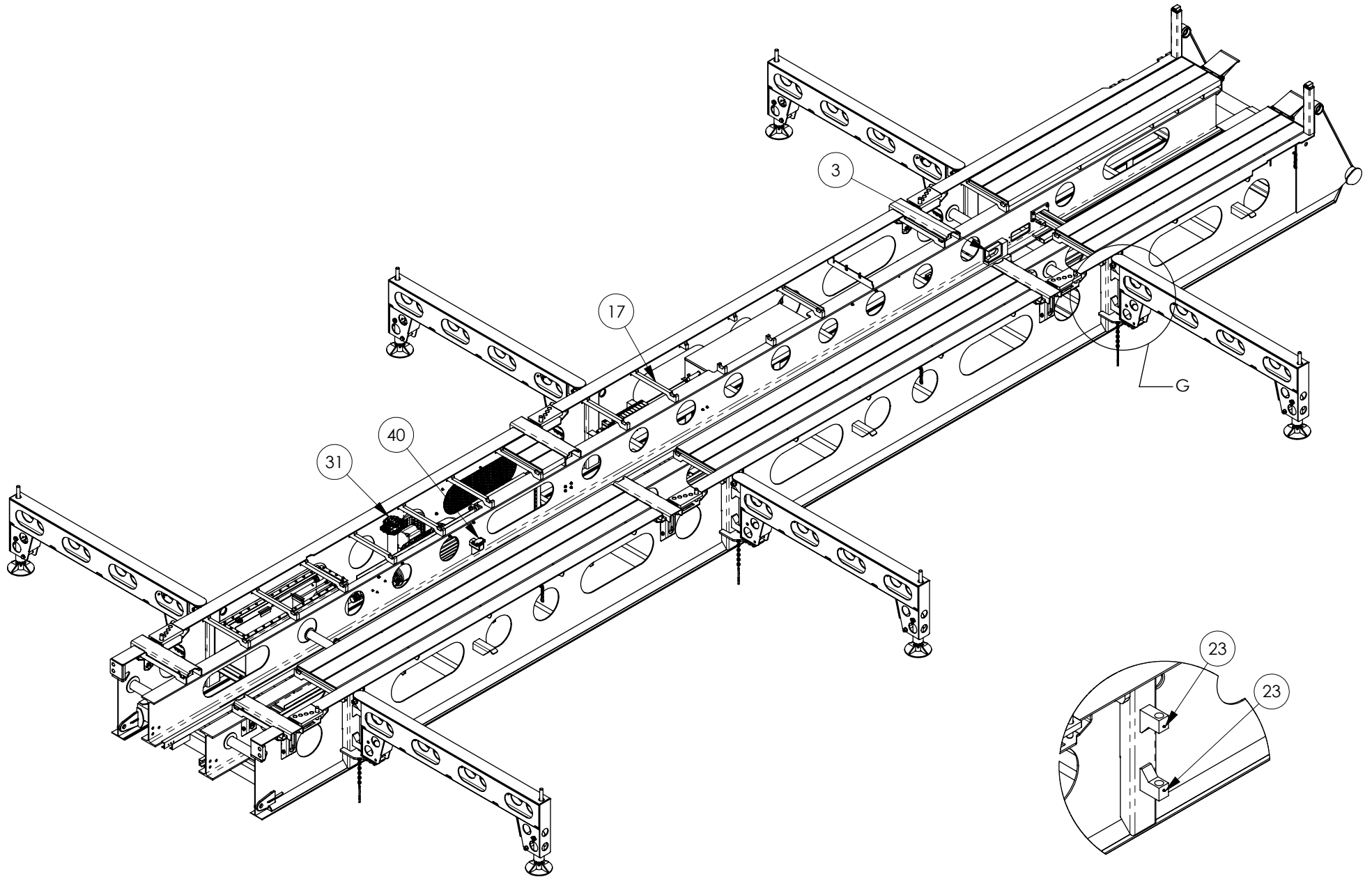
ASSY, MASTER SKID, PC4100

SHEET 1 OF 3

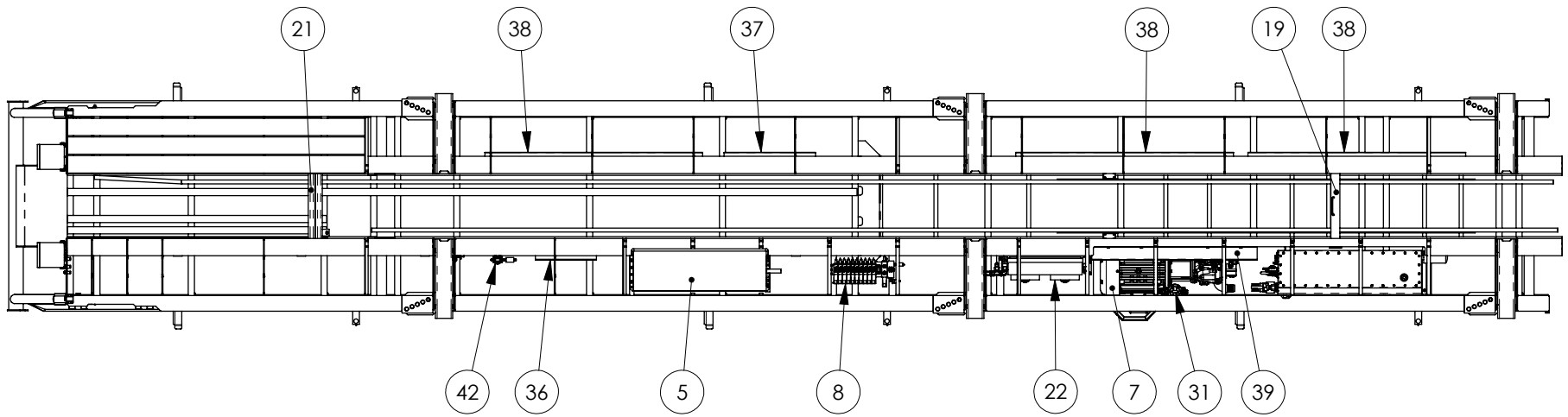
DATE CREATED: October 30, 2007 9:03:36 AM

PART NO: 121100009M

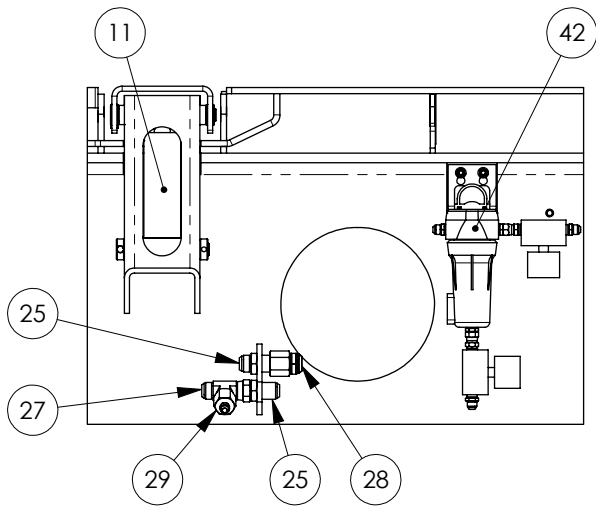
REV: REL-01



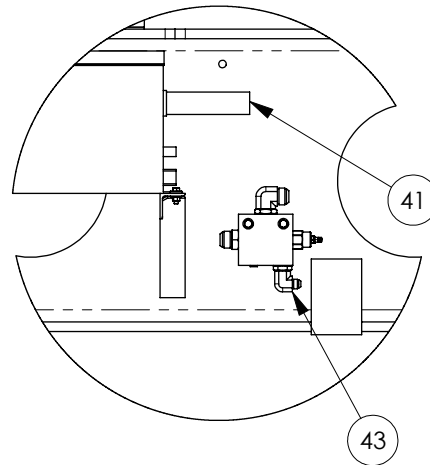
DETAIL G



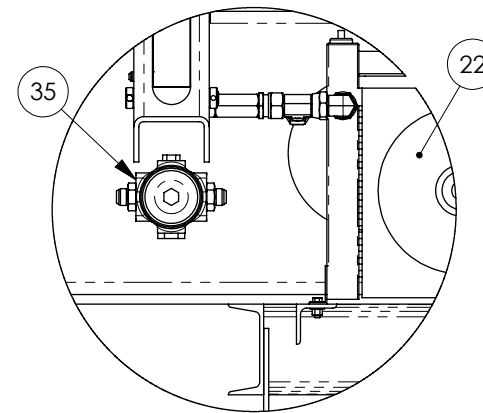
REMOVED COMPONENTS FOR CLARITY



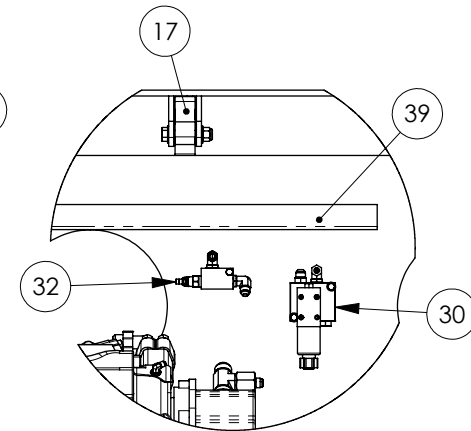
DETAIL C



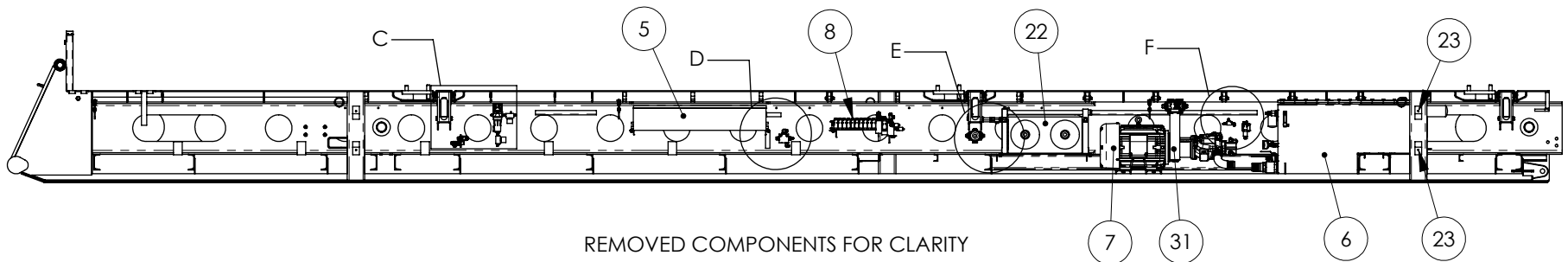
DETAIL D



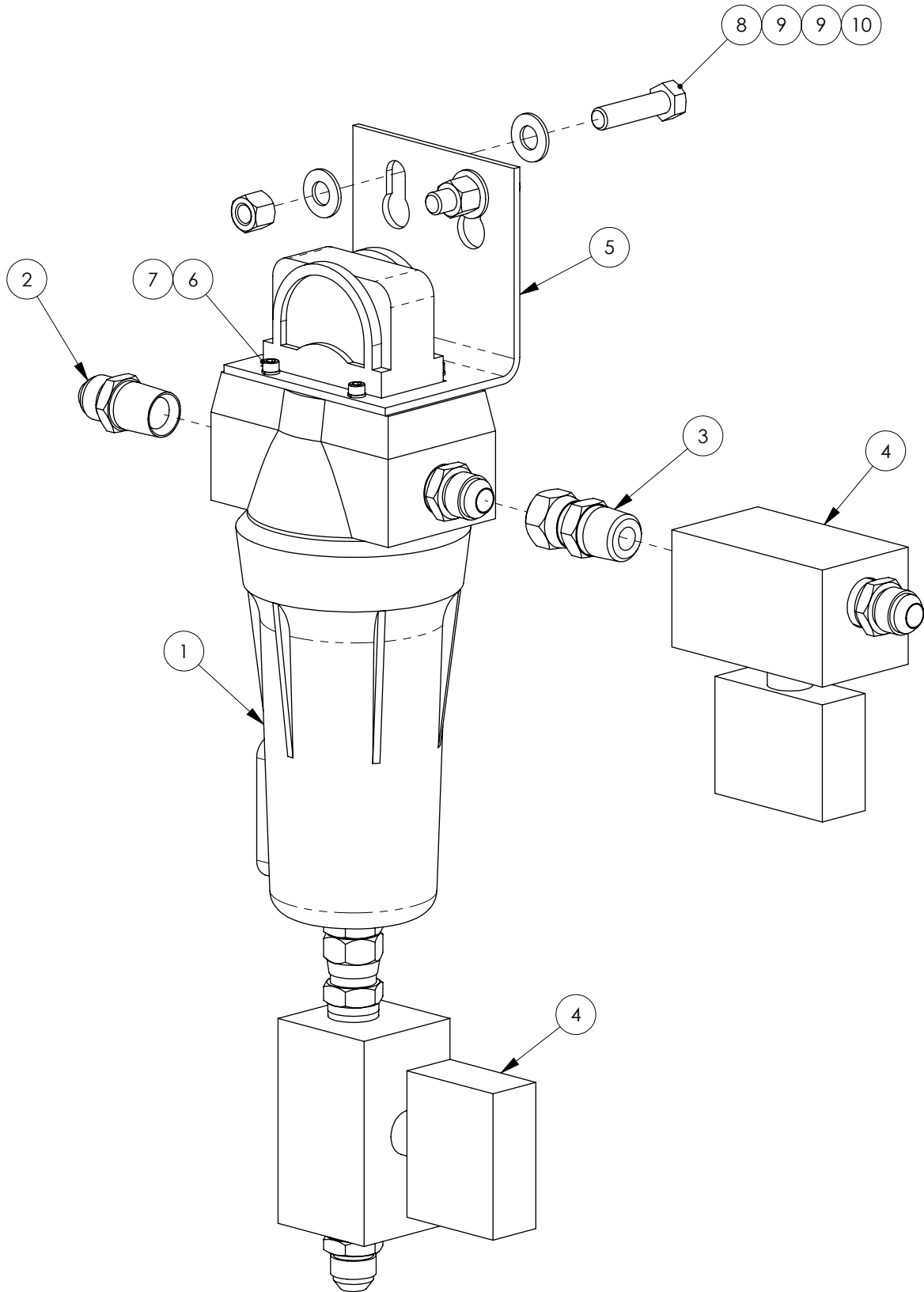
DETAIL E



DETAIL F



REMOVED COMPONENTS FOR CLARITY



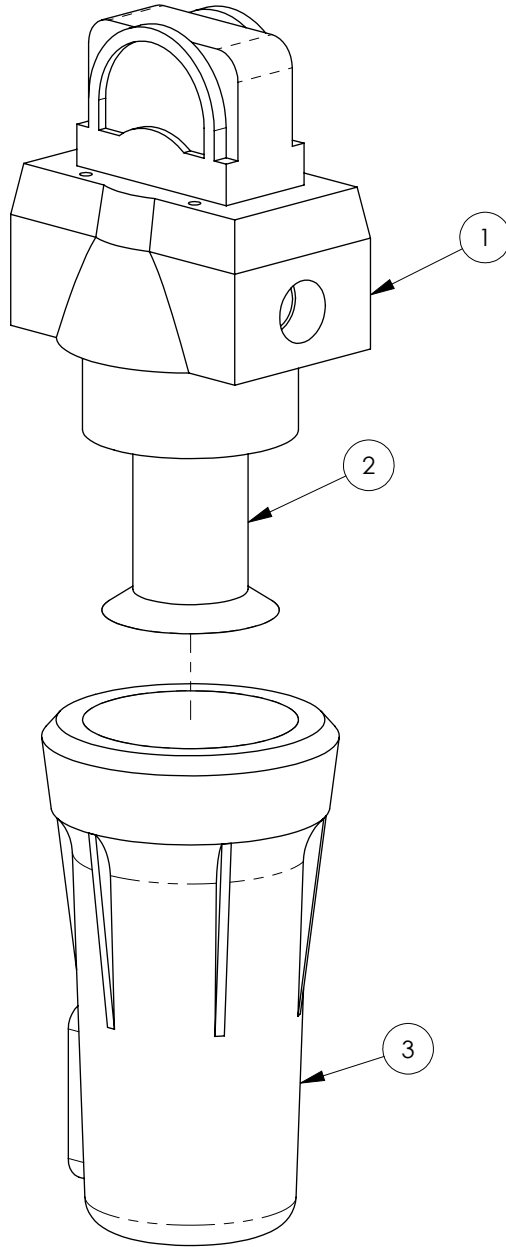

 2475 51 Street SE  
 Calgary, Alberta, Canada T2C 4L6  
 Website: www.canrig.com  
 Fax: (403) 237-0400  
 Fax: (403) 233-2667

CANRIG DRILLING TECHNOLOGY CANADA LIMITED © 2006.  
 THE DRAWINGS, INFORMATION AND SUBJECT MATTER  
 HEREOF ARE THE CONFIDENTIAL SOLE AND EXCLUSIVE  
 PROPERTY OF CANRIG DRILLING TECHNOLOGY CANADA  
 LTD. AND ARE NOT TO BE COPIED, REPRODUCED OR USED  
 IN ANY MANNER FOR ANY PURPOSE WHATSOEVER  
 WITHOUT WRITTEN CONSENT OR DIRECTION.

ASSY, AIR FILTER  
 SHEET 1 OF 1

REV.	DESCRIPTION	DATE
DEV-01	RFM	2/1/2008

DATE CREATED:	PART NO:	REV:
October 31, 2007 12:13:33 PM	121100104	DEV-01



CANRIG DRILLING TECHNOLOGY CANADA LIMITED © 2006.

THE DRAWINGS, INFORMATION AND SUBJECT MATTER  
HEREOF ARE THE CONFIDENTIAL, SOLE AND EXCLUSIVE  
PROPERTY OF CANRIG DRILLING TECHNOLOGY CANADA  
LTD. AND ARE NOT TO BE COPIED, REPRODUCED OR USED  
IN ANY MANNER FOR ANY PURPOSE WHATSOEVER  
WITHOUT WRITTEN CONSENT OR DIRECTION.

ASSY, FILTER, AIR, .01 UM, W/ OIL TRAP  
SHEET 1 OF 1



2475 51 Street SE  
Calgary, Alberta, Canada, T2C 4L6  
WebSite: www.canrig.com  
Box (403) 237-6400  
Fax (403) 233-2667

DATE CREATED: October 31, 2007 1:13:33 PM

PART NO: AY50357

REV: REL-01

REV.	DESCRIPTION	DATE
REL-01	RFM	3/5/2008