


Change Bulletin		
No: CB036	Rev: 0	Date: 6 May 2009
Description: Color coding service loop hoses for CDS		
		 <p>Tesco Corporation 5616- 80th Avenue SE Calgary, AB. T2C 4N5 Phone: (403) 723-7902 www.tescocorp.com</p>

BACKGROUND INFORMATION:

As part of TESCO's continual product improvement process, we have introduced color coding on all CDS Hydraulic Power Units (HPU). This allows for ease of installation of hoses during rig up and will assist in preventing improper setup when followed with TESCO's standard on site commissioning.

All service loop hoses are color coded in the TESCO manufacturing facility as specified in hydraulic schematic 800014-1.

AFFECTED PRODUCT:

CDS HPU

REFERENCE DOCUMENTS:

- P/N 1500053 HPU Assembly,Dual Pump,Zone1,3-Function,CDS
- P/N 2270011 HPU Assy,Dual Pump,CE/ATEX,Zone 1,3 Functions,CDS
- P/N: 580104 Tag,Set,Lamacoid,HPU,CDS
- P/N 500379 HPU Assembly,Dual Pump,Zone1,3-Function,CDS(Use 1500053)
- P/N 500342 HPU Assembly,Dual Pump,Std,3-Fun,CDS(Discontinued)
- 800014-1 Hydraulic schematic,Dual pump,Zone 1,HPU,CDS
- 800014 Hydraulic schematic,Dual pump,HPU,CDS (Discontinued)
- ECN-150-0032

ACTION REQUIRED:

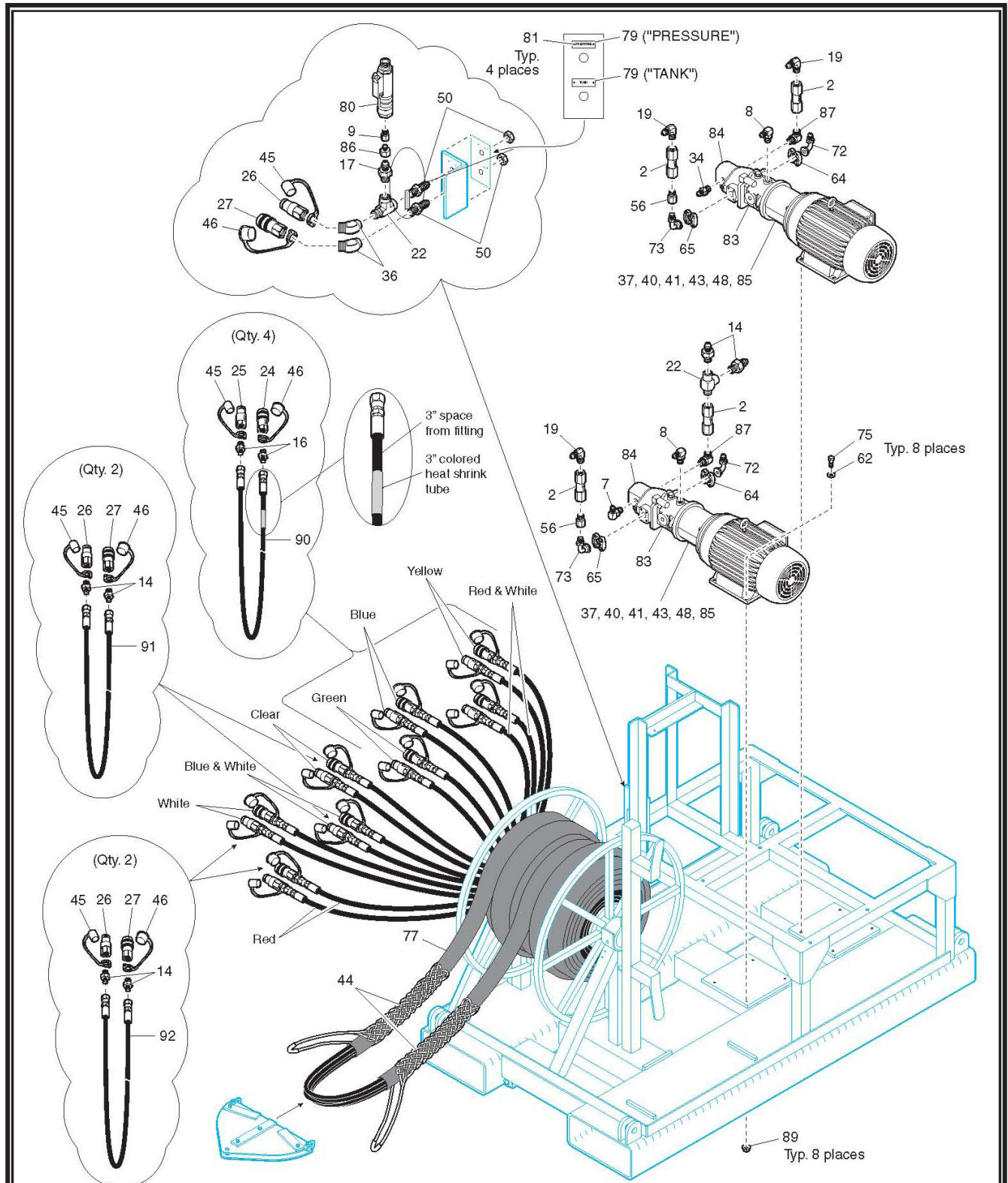
TESCO recommends that color coding be implemented on all existing field units.

Order TESCO P/N 580104 Label Set, Lamacoid, HPU, Control Panel – CDS and apply a 3" long piece of heat shrink material 3" back from the quick coupling on the hose itself for both ends of each service loop hose.

Color coding is as follows:

- Red: Actuator / Apply
- White: Actuator / Release
- Blue: Link Tilt / Backwards
- Green: Link Tilt / Forward
- Yellow: Elevator / Close
- Red & White: Elevator / Open
- Blue & White: Pressure
- Clear: Tank

IMPORTANT: To avoid injury and damage to equipment ensure that the hoses are properly connected before operating the equipment.



1. Color code both ends of hoses as shown above using heat shrink tube before installing to reel. This will identify hose ends of each hose when installed.

Rev.	By	Date	ICD#	Description
A	VNL	050428		Issued for manufacture
1	SPB	090318	150-0032	Add color labels & notes

Note: Some items may not be shown for clarification purposes.



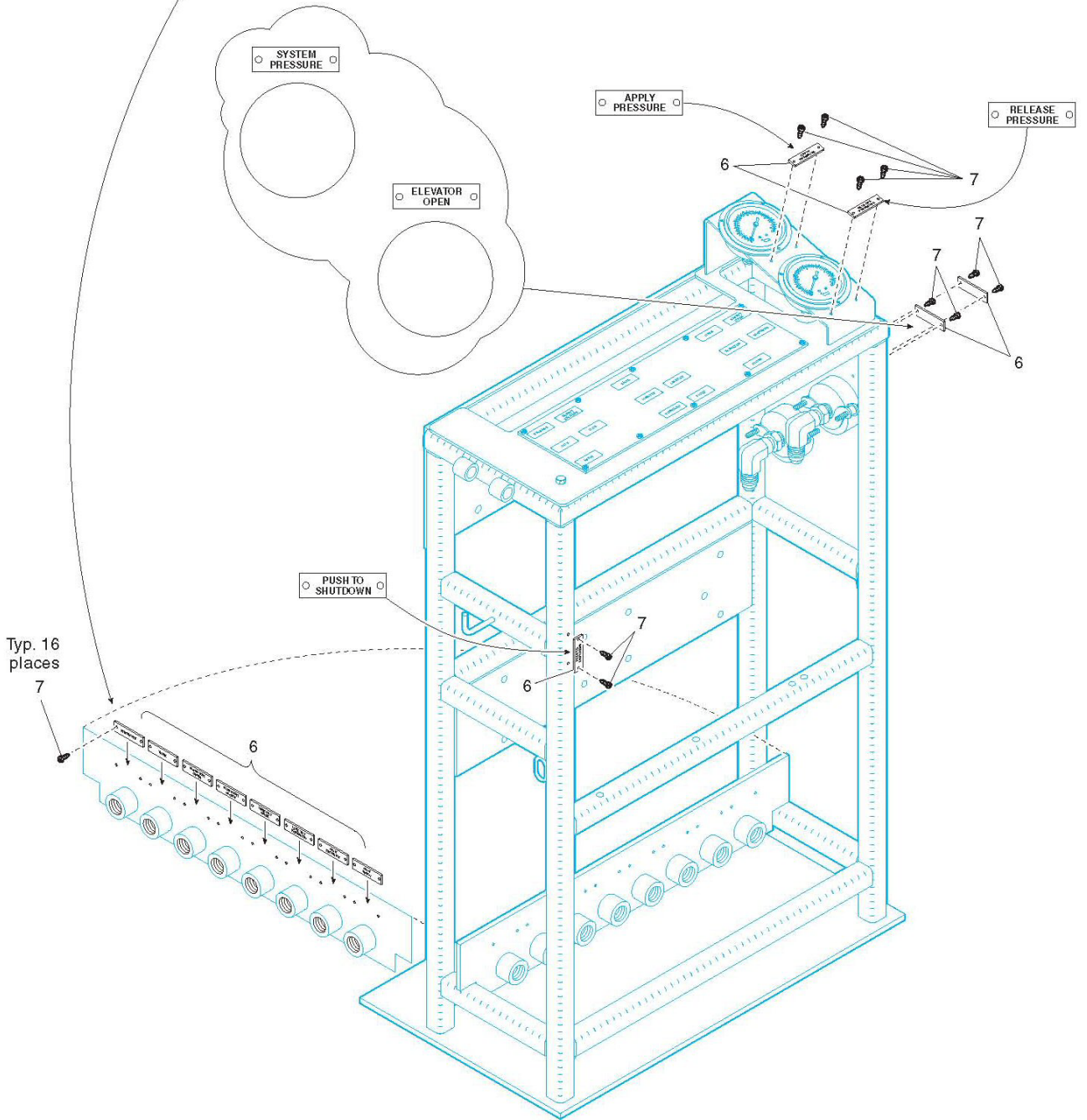
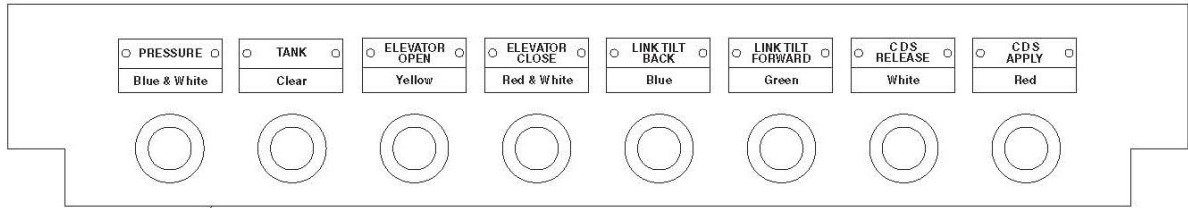
TESCO
CORPORATION

File No. **Kit, Hydraulics, Skid, Std, HPU, CDS**

Dwg. No. **1-720390-2.ai** Model **CDS**

Date **050428** Drawn **VNL** Rev. **1** Sheet **2 of 4**

Checked _____ Appd. _____



Rev.	By	Date	ICD#	Description
C	VNL	060306	OM-52	Refer sheet 2
3	LJW	061023	LSW-150	Refer to sheet 1
4	SPB	090317	150-0032	Add color labels



Title Panel, Control, Std/Zone1, HPU, CDS			
File No.	I-720392-4.ai	Model	CDS
Dwg. No.	I-720392	Rev	4 Sheet 4 of 6
Date	050223	Drawn	VNL
		Checked	
		Appd.	

