


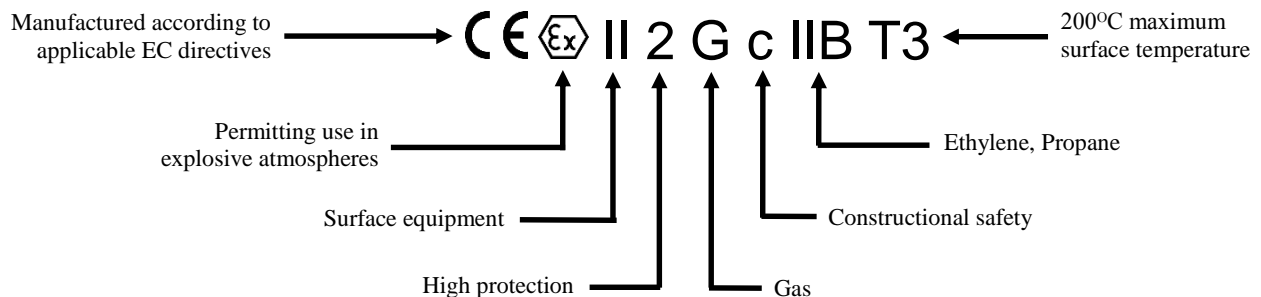
Technical Bulletin			 Tesco Corporation 5616 – 80th Avenue SE Calgary, Alberta, Canada T2C 4N5 Tel: 1-877-TESCO-77 (North America) Tel: 1 (713) 359-7195 (AMSS 24-hour support) Tel: 1 (713) 359-7295 (International) Email: bulletins@tescocorp.com www.tescocorp.com www.tescoparts.com
No: TB103	Rev: 0	Date: March 19, 2015	
CDS CE/ATEX Certification			<input type="checkbox"/> Internal Use Only <input checked="" type="checkbox"/> External Use <input type="checkbox"/> Mandatory <input checked="" type="checkbox"/> Recommended

NOTE: All numbers in parentheses are TESCO part numbers unless otherwise noted.

BACKGROUND INFORMATION:

Tesco Internal and External Casing Drive Systems are now CE/ATEX certified. This equipment now meets European standards and is certified to be used in potentially explosive atmospheres. The Internal and External Casing Drive Systems have been approved as is, meaning there have been no changes in parts or materials from the previously non-certified version to the currently certified version.

The CE/ATEX marking can be found on the nameplate of Tesco’s Internal and External Casing Drive Systems and will include the following:



AFFECTED PRODUCTS:

All Internal Casing Drive Systems (ICDS) and External Casing Drive Systems (ECDS). Does **not** include Compact Casing Drive Systems (CCDS).

Version	Date (D/M/Y)	ECN	Description of changes
Rev 0	03/19/2015	250-0019	Initial release of document

Copyright © 2015 Tesco Corporation. TESCO® is a registered trademark in the United States and Canada. Casing Drive System™, CDS™, Multiple Control Line Running System™ and MCLRS™ are trademarks in the United States. All information in this document is proprietary and confidential, and shall remain the sole property of Tesco Corporation. This document shall not be used, copied, or reproduced in whole or in part, nor shall be revealed in any manner to outside parties without prior written permission from Tesco Corporation.

ACTION REQUIRED:

1. For existing ICDS and ECDS customers, nameplates with the CE/ATEX marking (5050364) and four off 1/8" fasteners (14439) can be ordered from a local Tesco Service Center.
2. Remove the existing nameplate (860184) from the CDS actuator.
3. To ensure traceability of the CDS tool, the serial number, part number and date of manufacture from the old nameplate should be engraved onto the new nameplate. Customers must ensure that engraving is done at an approved engraving or machine shop.
4. Secure the CE/ATEX nameplate in the same location with the four 1/8" fasteners. The nameplate mounting holes should match the existing holes.

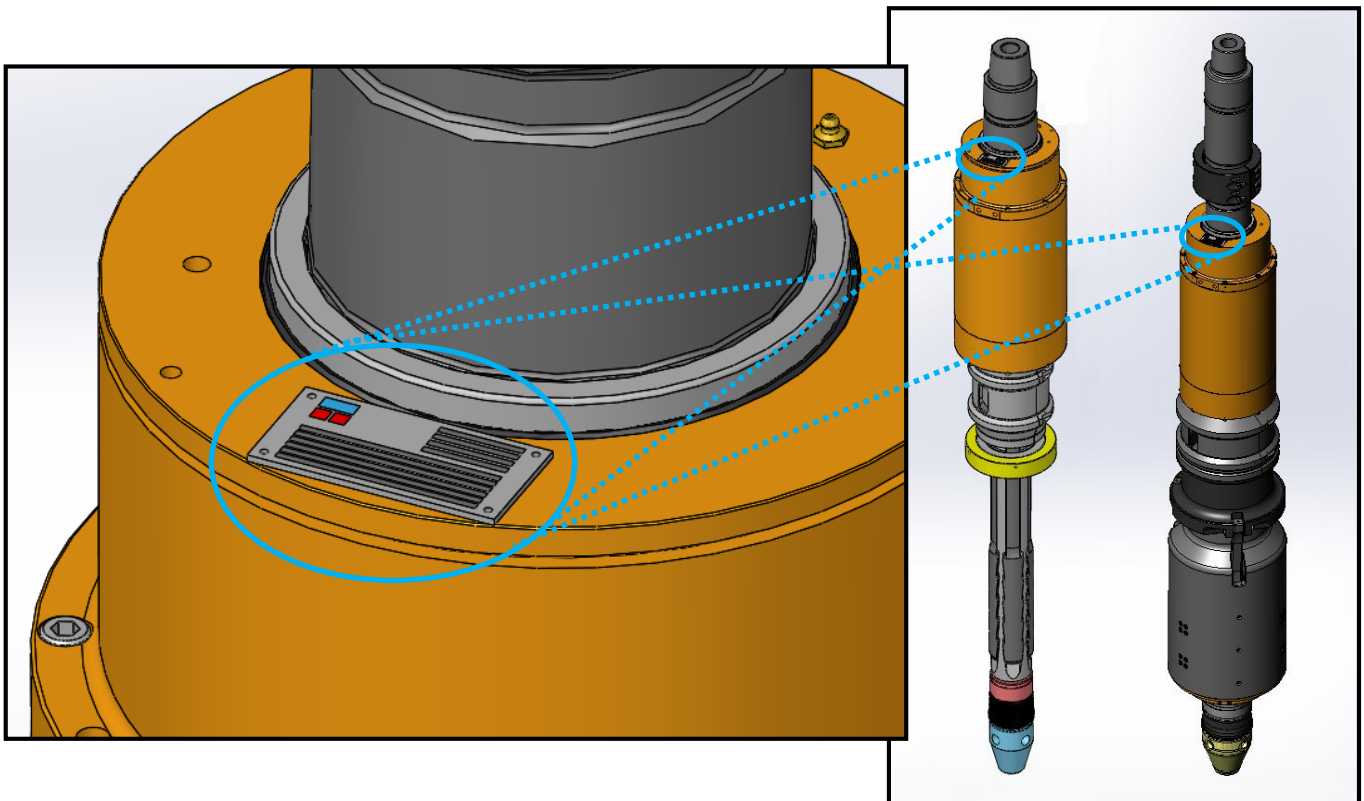


Figure 1: Nameplate is located on the surface of the CDS actuator top cap