

Change Bulletin

No: CB008

Rev: 0

Date: February 15, 2007

Description: Day Tank Deletion



Tesco Corporation
6204 – 6A Street SE
Calgary, AB. T2H 2B7
Phone: (403) 692 5700
www.tescocorp.com

BACKGROUND INFORMATION:

The fuel tank commonly known as the “day tank” has been deleted from future builds of the D2P power unit (PN 720132). Based on feedback from engine vendors the fuel tank kit (PN 720146) that was originally part of this build is no longer required. Figure 1 illustrates the components that have been deleted and will be absent on future units. This change is documented fully by ECN 111-0010.

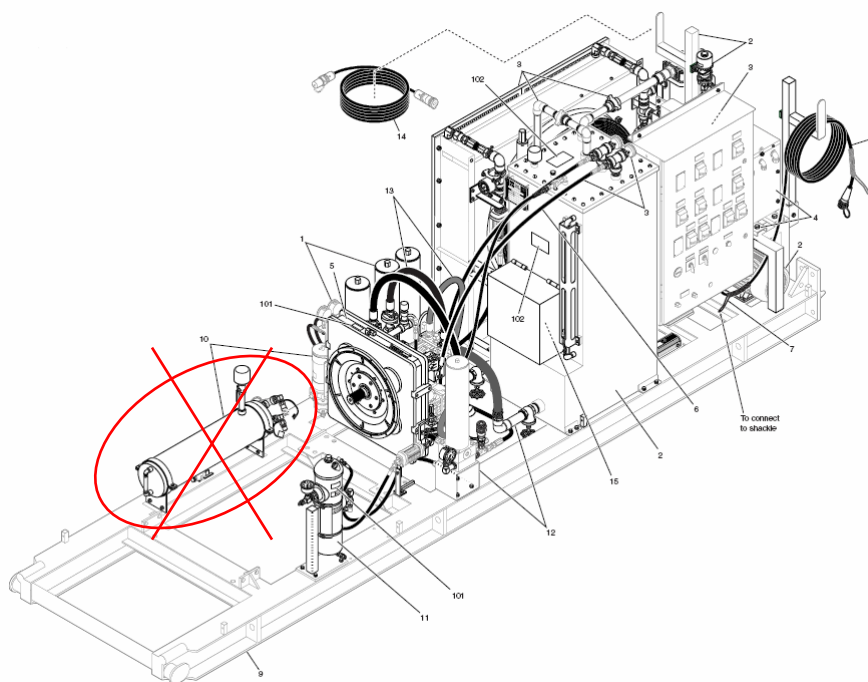


Figure 1 – Fuel tank deletion

AFFECTED PRODUCT:

This change is applicable to all power units (PN 720132) manufactured after approximately August, 2006.

ACTION REQUIRED:

No action required; for information purposes only.

Contact your local TESCO Parts and Service Center for further information regarding this bulletin and or supply of affected components noted above.