

Change Bulletin

No: CB011

Rev: 0

Date: May 17, 2007

Description: HMIS Offset Motor Plumbing in Rig-Up Kits



TESCO Corporation
6204 – 6A Street SE
Calgary, AB. T2H 2B7
Phone: (403) 692 5700
www.tescocorp.com

BACKGROUND INFORMATION:

Every rig-up kit of a 250-HMIS-475 top drive up to May 17, 2007 has included two 1.5 inch HMIS offset pipes (TESCO p/n 6243) that may be installed for the closed-loop hydraulic connections to the top drive motor manifold. Figure 1 shows the configuration of an offset pipe. The offset pipes are not necessarily needed for every installation. Moreover, when the offset pipes are needed they must be used each with a 1.5 inch figure 602 hammer union (TESCO p/n 4713) which is assembled in halves onto each end.

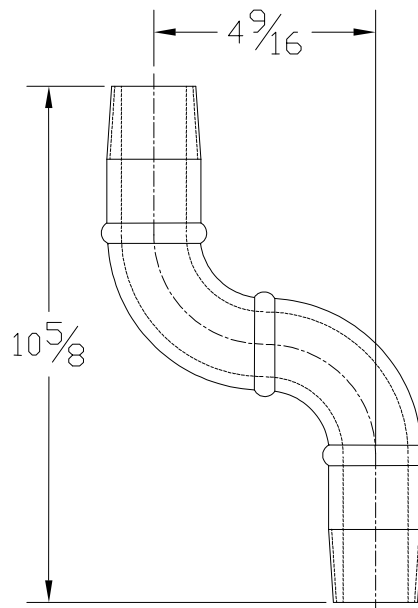


Figure 1 – HMIS Offset Pipe p/n 6243

The change will remove the HMIS offset pipes from every 250-HMIS-475 top drive rig-up kit, and will create a new HMIS offset plumbing kit (TESCO p/n 970167) that is an assembly of two offset pipes and two figure 602 hammer unions, and that is available as an optional accessory.

This change is documented fully by ECN 097-0059.

AFFECTED PRODUCT:

This change is applicable to all 250-HMIS-475 Top Drive rig-up kits specified after approximately May 17, 2007.

ACTION REQUIRED:

If HMIS offset pipes are desired the HMIS offset plumbing kit (TESCO p/n 970167) must be specified in the order contract with the TESCO sales representative.

Contact your local TESCO Parts and Service Center for further information regarding this bulletin and or supply of affected components noted above.