

# Safety Bulletin

No: SB032

Rev: 0

Date: 27 Jan 2009

**Description: EMI 400 and EMIS 450 Dual Ball Valve Cross-over Subs**



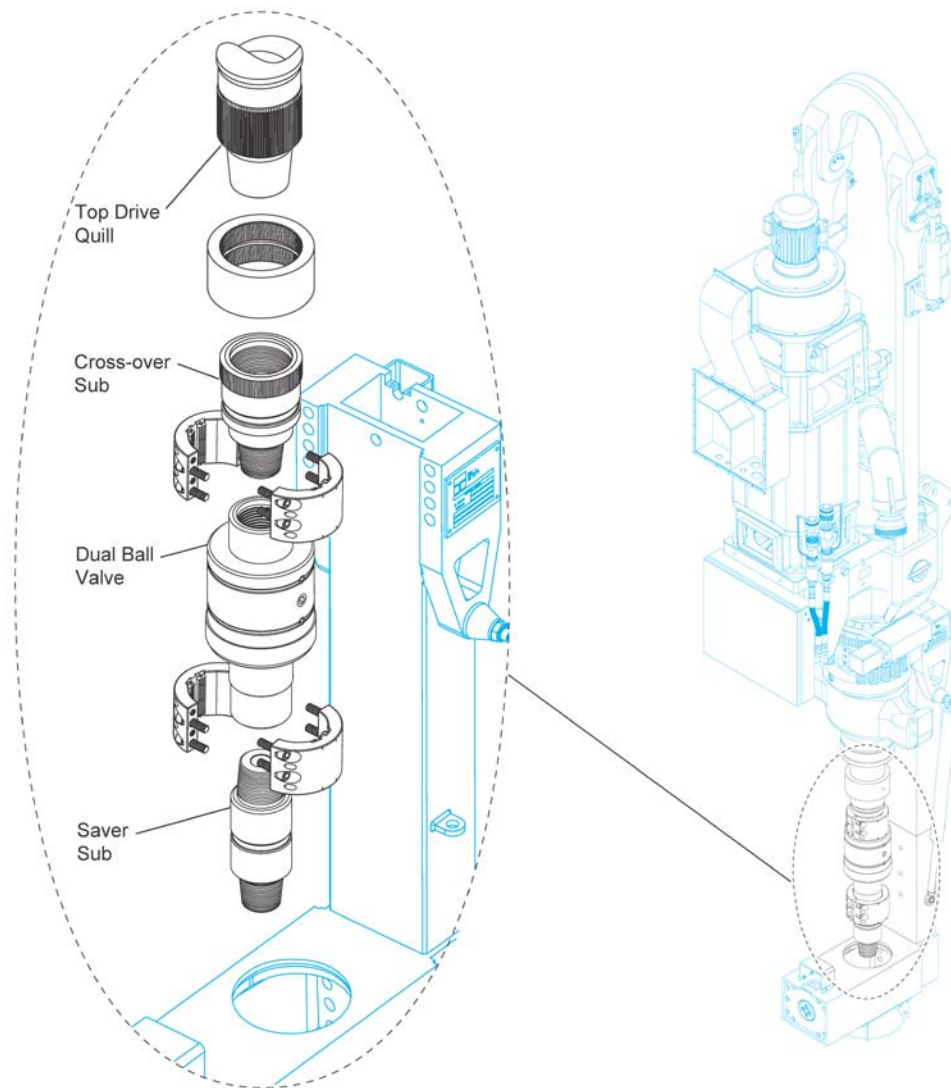
Tesco Corporation  
6204 – 6A Street SE  
Calgary, AB. T2H 2B7  
Phone: (403) 692 5700  
[www.tescocorp.com](http://www.tescocorp.com)



**TESCO®**

## BACKGROUND INFORMATION:

A number of cross over subs have been manufactured for non load path applications. However, there is potential that these non certified load path cross-over subs are used in an API Specification 8C load path application. Specifically, the non certified load path cross-over sub is used below the Top Drive Quill, an API Specification 8C load path component, and above the Dual Ball Valve, another API Specification 8C load path component (see figure 1 for clarification). In this case API Specification 8C is violated and the cross over sub needs to be removed from service.



**Figure 1: Location of cross over sub**

**AFFECTED PRODUCT:**

EMI 400 and EMIS 450 Top Drives incorporating TESCO part #3082, NC50 box x NC38 cross over sub, in an API 8C Specification load path capacity and conversion kits. See the table below for affected kits.

Description	Part No.	Serial No.	Mfg. Date
Kit, 3-1/2" MSV X-Over, EMI	17826S	All	All
Kit, Conversion, 4-1/2"IF (NC50) x 3-1/2"IF (NC38), (For 4186-TDA-SER-C Actuator)	721082	All	All

**ACTION REQUIRED:**

TESCO part #3082 shall immediately be removed from service and replaced with TESCO part #860168.

---

**Contact your local TESCO Parts and Service Center for further information regarding this bulletin and or supply of affected components noted above.**