

Safety Bulletin				Tesco Corporation 5616 – 80th Avenue SE Calgary, Alberta, Canada T2C 4N5 Tel: 1-877-TESCO-77 (North America) Tel: 1 (713) 359-7195 (AMSS 24-hour support) Tel: 1 (713) 359-7295 (International) Email: bulletins@tescocorp.com www.tescocorp.com www.tescoparts.com
No: SB066	Rev: 0	Date: 22 March 2012		
Suspect 500-ESI-1350 Gearbox Housings				

BACKGROUND INFORMATION:

The TESCO 500-ESI-1350 Top Drive gearbox housing, which is a critical component of the top drive load path, is made from a casting. A rigorous inspection is done on the casting before they are released for machining. This inspection procedure includes Radiographic, Ultrasonic, and Magnetic Particle Inspections to ensure that they are sound castings and meet API 8C specification requirements.

It has, however, come to TESCO's attention that these critical inspections may not have been conducted properly and were incorrectly reported by the supplier. With this knowledge, TESCO cannot guarantee the condition of these gearbox housings and therefore treats them as suspect.

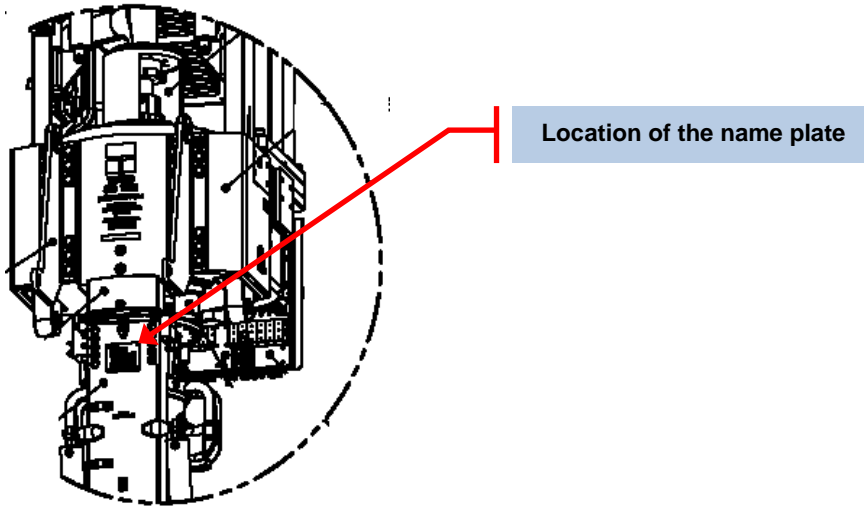
AFFECTED PRODUCT:

The following TESCO 500-ESI-1350 top drive unit numbers are affected:

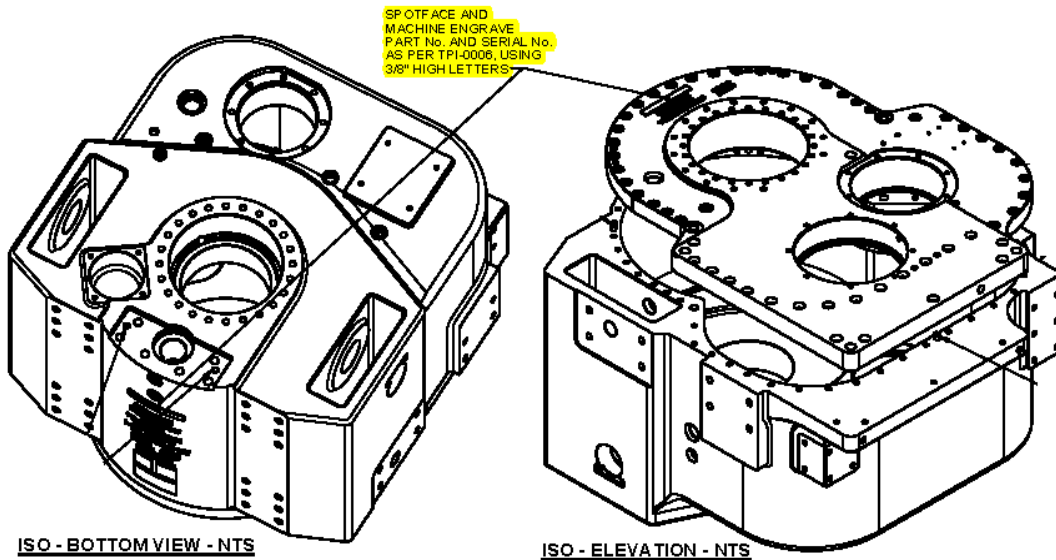
TOP DRIVE PART NUMBER	UNIT NUMBER	GEARBOX HOUSING SERIAL NUMBER
5006060	945	029558-1-5004025-1
5006060	947	5004026-4 / 5004027-4
5006060	961	029817-1-5004025-1
5006060	962	5004026-2 / 5004027-2
5006060	963	5004026-1 / 5004027-1
5006060	964	027871-1-5004025-2
5006060	980	027871-1-5004025-3
5006060	982	027870-1-5004025-1
5006060	983	029767-1-5004025-1
5006060	984	5004026-3 / 5004027-3
5006060	986	027870-1-5004025-2
5006060	1000	11D2-2
5006060	1002	027871-1-5004025-1
5006060	1003	027871-1-5004025-4
5006060	1004	103451-1-5004025-1
5006060	1007	106308-4-1-5004025-1
5006060	1102	103451-2-5004025-2
5006060	1103	106308-4-1-5004025-4

ACTION REQUIRED:

1. Identify the top drive unit number (it is listed on the top drive name plate located at the back of the top drive upper grabber leg).



2. Confirm the gearbox housing serial number. It should be located as shown below.



3. If the top drive unit number matches one of the numbers on the list of affected products, **stop utilizing the top drive immediately.**
4. Contact your local TESCO representative who will arrange for an inspection to be made of your top drive.

Version	Date (D/M/Y)	ECN	Description of Bulletin Changes
Rev 0	22/03/2012	157-0027	Initial release of document