



Technical Bulletin TB-015

From: Tesco Products – Technical Applications

Date: September 16, 2003

Re: HMI Clamping Box Revision

Models: HMI 150T, 200T, 250T

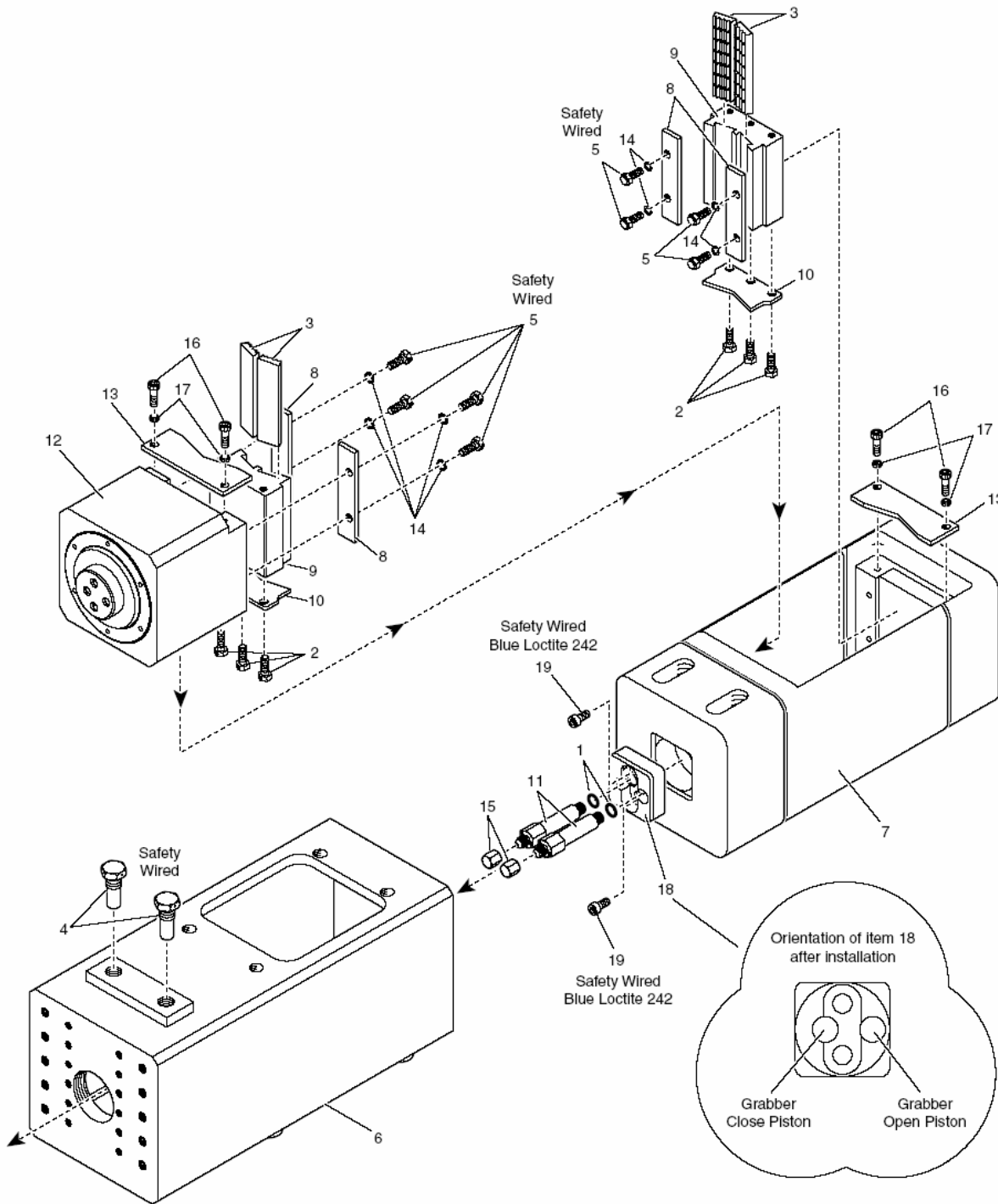
There has been a redesigned clamping box introduced for the HMI Model line. The new clamping box is a welded fabrication that eliminates mechanical separation of the front and rear plates from the assembly as seen on the attached illustration. If you would like a quotation for the new assembly, Tesco part number 16494, please contact a Tesco Part Sales representative at 403-233-0757.

If there are any questions related to this Technical Bulletin please contact

Tesco Products-Applications

(403)-233-0757

[Mike Crocker Technical Applications](#)



Note: Some items may not be shown for clarification purposes.

Rev.	By	Date	ICD#	Description
0	KT	030121		Issued for manufacture
1	KT	030421	5863	Add rear view diagram for item 18
2	VNL	030520	6003	Changed item 19

		Grabber Assembly, 6-7/8", HMI	
		File No. I-16494-1.al	Model HMI
Dwg. No. I-16494		Rev. 2	Sheet 1 of 2
Date 030121	Drawn KT	Checked	Appd.



Technical Bulletin TB-015-1

From: Tesco Products – Technical Applications

Date: October 14, 2003

Re: HMI Clamping Box Revision - amendment

Models: HMI 150T, 200T, 250T

Please note the following amendment to Technical Bulletin TB-015:

There has been a redesigned clamping box introduced for the HMI Model line. The new clamping box is a welded fabrication that eliminates mechanical separation of the front and rear plates from the assembly as seen on the attached illustration.

Tesco Corporation is prepared to offer a discounted price for this new product.

This offer is one per HMI Topdrive only and will be in effect until December 1 2003.

All sales of this product after the specified date will be at full list price.

If you would like a quotation for the new assembly, Tesco part number 17538, please contact a Tesco Part Sales representative at 403-233-0757.

***If there are any questions related to this Technical Bulletin please contact
Tesco Products-Applications
(403)-233-0757***

[Mike Crocker Technical Applications](#)

