

Technical Bulletin

No: TB041

Rev: 1

Date: 29 January, 2008

Description: EMI 400 Worm Drive Inspection



Tesco Corporation
6204 – 6A Street SE
Calgary, AB. T2H 2B7
Phone: (403) 692 5700
www.tescocorp.com

BACKGROUND INFORMATION:

The 250 Ton EMI 400 Top Drive uses a twin worm screw drive to perform Pipe Handler Rotate and Lock functions. A high reduction worm drive provides a permanent passive lock when the worms are not powered.

Premature wear of the gear teeth has been discovered with some worm drive assemblies after a limited time in service. This bulletin defines wear limits for this condition, plus worm end-cap fastener inspection information.

AFFECTED PRODUCT:

All 250T EMI 400 Top Drives incorporating the Dual Worm Drive Pipe Handler System (see table below & Figure 1.)

Description	Part No.	Serial No.	Mfg. Date
Worm Slew Drive, 14" w/Dual Motor, Hyd., 5 cu-in (Generation 1)	731039	All	All
Worm Slew Drive, 14" w/Dual Motor, Hyd., 5 cu-in, w/stop (Generation 2)	810360 / 820128	All	All

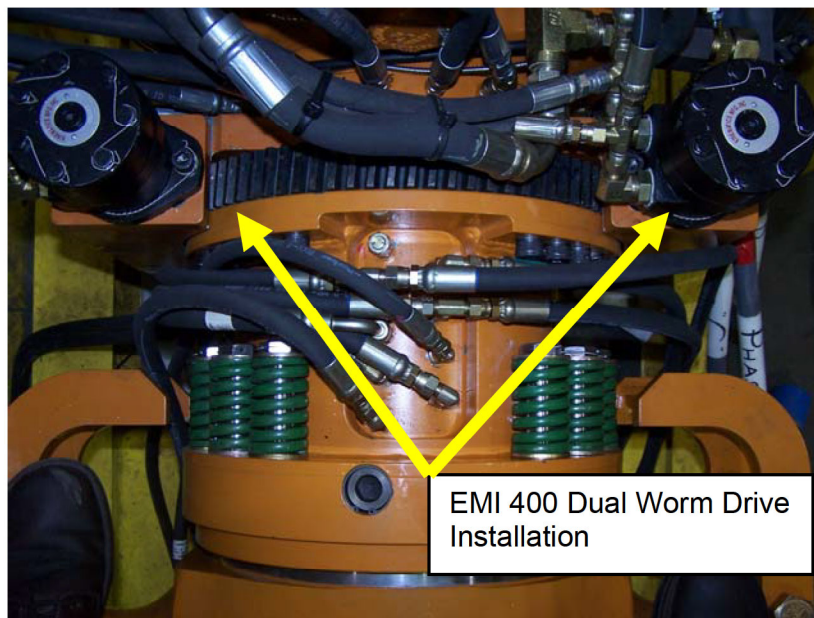


Figure 1.



Feb 21, 08

ACTION REQUIRED:

As part of the Top Drive monthly inspection schedule, conduct the following:

- Dimensionally inspect at least 5 teeth selected randomly around the slewing gear as shown in Figure 2.
- If gear wear exceeds specified limit the assembly should be replaced.

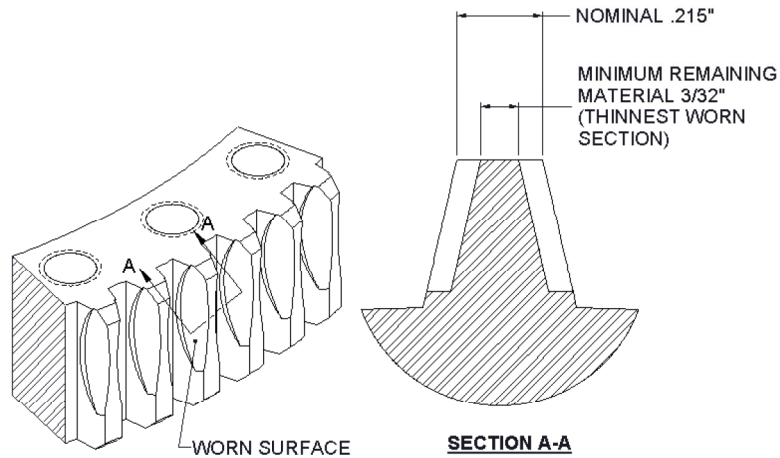


Figure 2.

As part of the Top Drive weekly inspection schedule, conduct the following:

- 1. Visually inspect slew gear teeth wearing status.
- 2. Visually inspect integrity of the worm retainer cap fasteners (motor and off motor end) as shown in Figures 3 and 4. If anomalies are found correct condition and report to your local TESCO Sales and Service Representative.

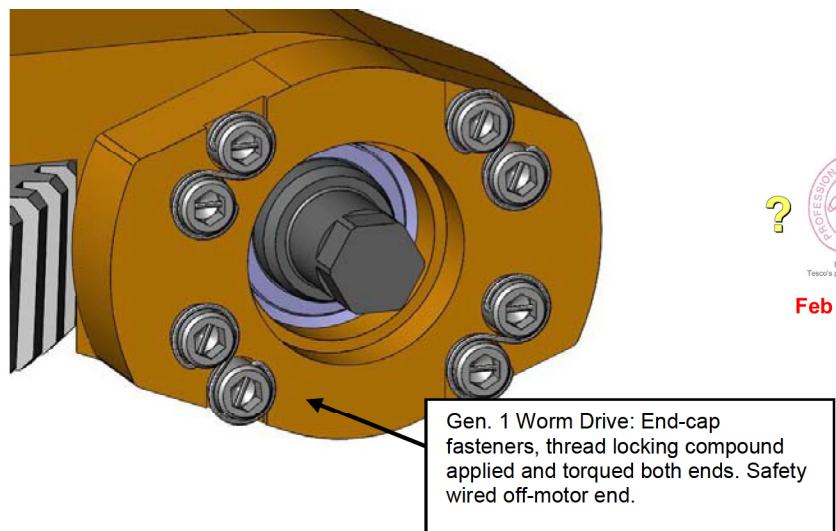
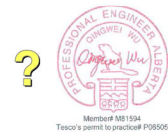


Figure 3.



Feb 21, 08

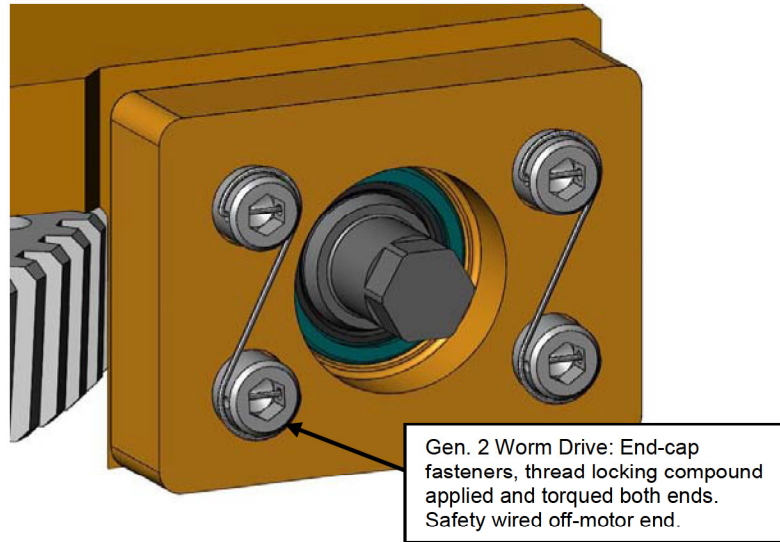


Figure 4.

Contact your local TESCO Parts and Service Center for further information regarding this bulletin and or supply of affected components noted above.

Region	Telephone Number
Asia pacific	62 21 725 5454
Canada	1 403 692 5700
Europe	47 51 41 25 50
Latin America	54 11 4384 0199
Middle East & Africa	971 4 887 3735
US	1 713 849 5900



Feb 21, 08