

# Technical Bulletin

No: TB044

Rev: 0

Date: 24 July 2007

## Description: Revise Elevator Manifold Circuit to Reflect Functionality, EMI 400

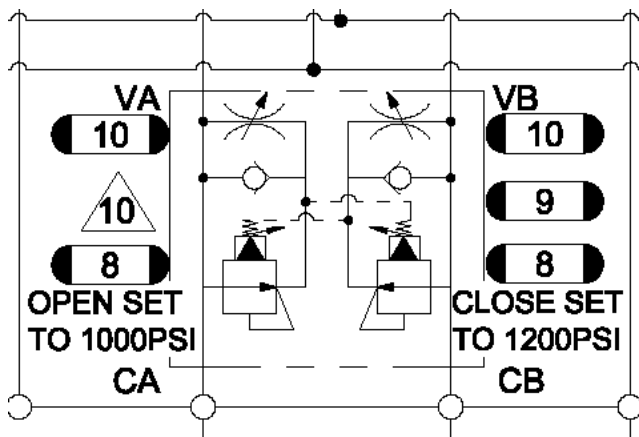


Tesco Corporation  
6204 – 6A Street SE  
Calgary, AB. T2H 2B7  
Phone: (403) 692 5700  
[www.tescocorp.com](http://www.tescocorp.com)

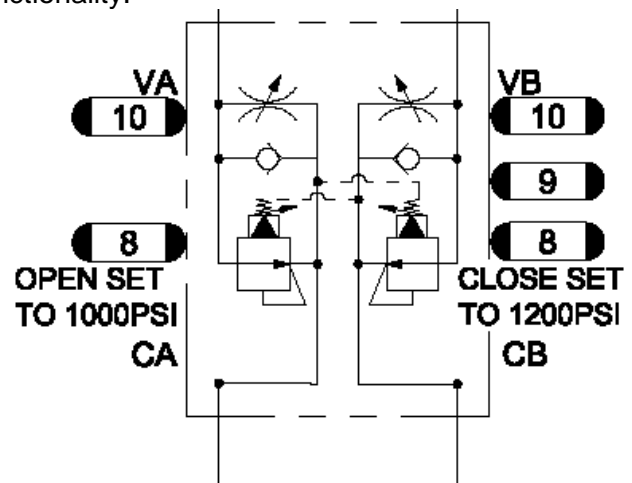
### BACKGROUND INFORMATION:

The elevator pressure reducing circuit depicted on drawing # 590207 Rev 11 did not depict a functional configuration. The schematic was revised to reflect the intended functionality, as shown on the following details of the affected drawing:

The previous version did not depict a functional circuit.



The updated drawing (590207 Rev 12) shows the revised elevator manifold circuit, which reflects functionality.



This change is documented fully in ECN-139-0021.

### AFFECTED PRODUCT:

This change affects the EMI 400 Top Drive only in that drawing 590207, Hydraulic Schematic PC Pump Robotics, EMI 400 Top Drive was updated to reflect the actual circuit functionality.

### ACTION REQUIRED:

The drawing was revised, updated and approved. No other action is required.

-----  
**Contact your local TESCO Parts and Service Center for further information regarding this bulletin and or supply of affected components noted above.**